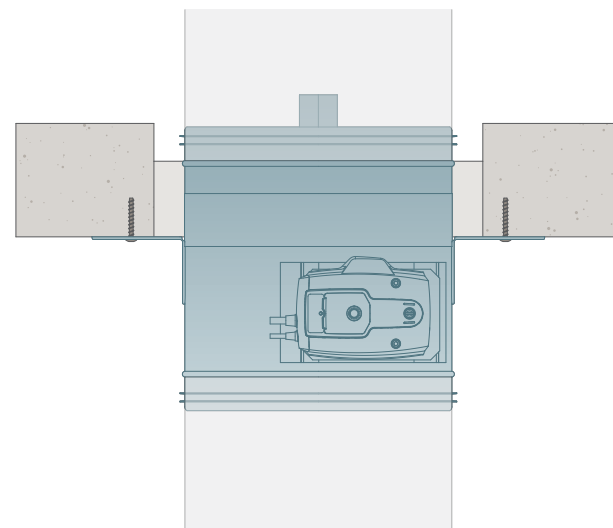
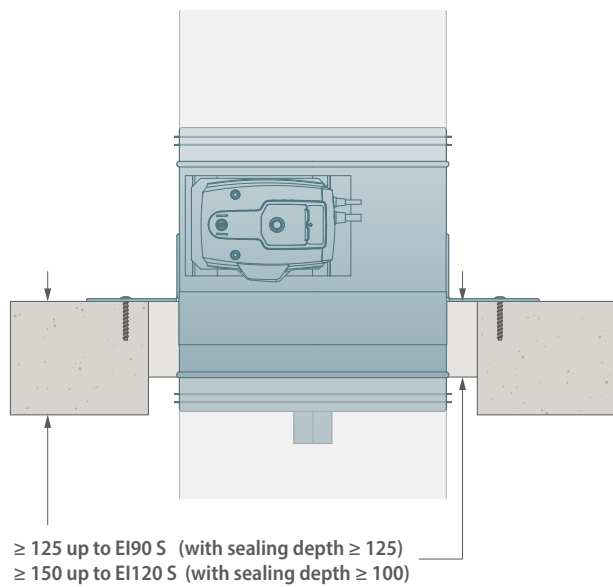
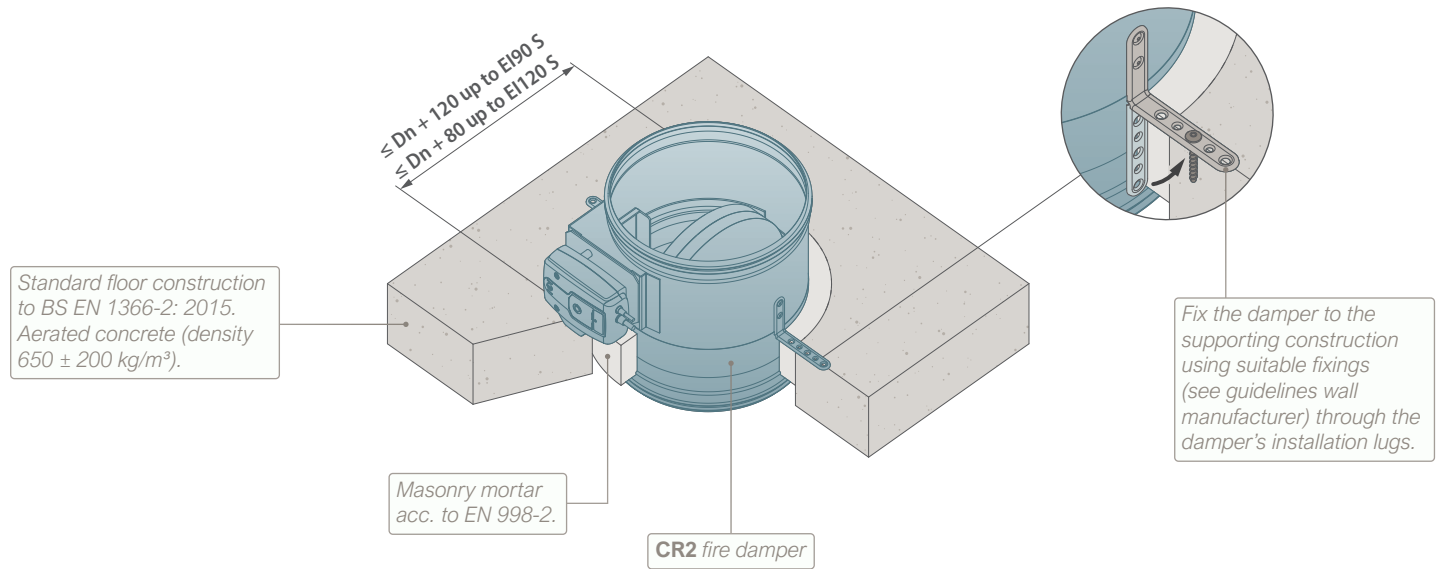
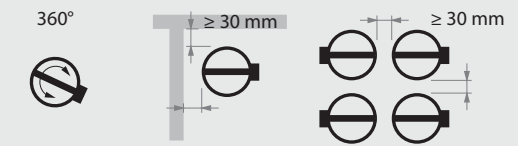


CR2 FIRE DAMPER



TECHNICAL FEATURES

- Damper range: $\varnothing 200$ till 630.
- Damper can be installed with mechanism on either side of the supporting construction (independent of fire side).
- A max. of 4 fire dampers can be installed at tested minimal distances from an adjacent vertical (supporting) construction or another fire damper. See detailed guidelines in the CR2 Technical Datasheet. Not valid for classification EI90 S in aerated concrete $\geq 125\text{mm}$.



- To be read in conjunction with the CR2 Fire Damper Technical Datasheet.
- Guidelines acc. to DW144/145 (not required for CE):
 - Installation lugs as shown in the drawings are available upon request.
 - Provide appropriate break-away / flexible joint between fire damper and connecting ductwork on both sides of the assembly (DW145: eg socket & spigot or flanged with appropriate fixings eg plastic cleats, clips, clamps, bolts, aluminium alloy rivets etc.).
 - Provide a panel in the adjacent ductwork to allow access to the internal components of the fire damper.
 - Ductwork must be independently supported and installed (DW144).
- Dimensions in mm unless otherwise stated.

TECHNICAL DATASHEET



INSPECTION AND HANDOVER CHECK LIST



PLAN TITLE

CR2 fire damper in rigid horizontal supporting construction
Installation detail with mortar.

CLASSIFICATION

EI 90/120 (ho i↔o)S



REV
A

DATE
05/01/2024

